



# RB10-PC

Voltage: 12.8V | Capacity: 10 Ah | Energy: 128 Wh

LITHIUM IRON PHOSPHATE BATTERY **LiFePO4**

## ELECTRICAL SPECIFICATIONS

Nominal Voltage	12.8 V
Nominal Capacity	10 Ah
Capacity @ 25A	24 min
Resistance	30 mΩ
Efficiency	99%
Self Discharge	<3% per Month
Maximum Modules in Series	6

## DISCHARGE SPECIFICATIONS

Maximum Continuous Discharge Current	50 A
Peak Discharge Current	70 A (<3 s)
BMS Discharge Current Cut-Off	275 A (±25 A)
Recommended Low Voltage Disconnect	11 V
BMS Discharge Voltage Cut-Off	8 V
Reconnect Voltage	9.2 V
Short Circuit Protection	200-800 μs

## TEMPERATURE SPECIFICATIONS

Discharge Temperature	-4 to 140 °F (-20 to 60 °C)
Charge Temperature*	-4 to 113 °F (-20 to 45 °C)
Storage Temperature	-4 to 140 °F (-20 to 60 °C)
PCM High Temperature Cut-Off	176 °F (80 °C)

\*Refer to charge currents below 32°F (0°C)

## MECHANICAL SPECIFICATIONS

Dimensions (L x W x H)	7.1 x 3.0 x 6.7" 181 x 76 x 169 mm
Weight	4.4 lbs (2 kg)
Terminal Type	Charge: M4 x 0.7 Discharge: M6 x 1.0
Case Material	ABS
Enclosure Protection	IP66
Cell Type - Chemistry	Cylindrical - LiFePO <sub>4</sub>

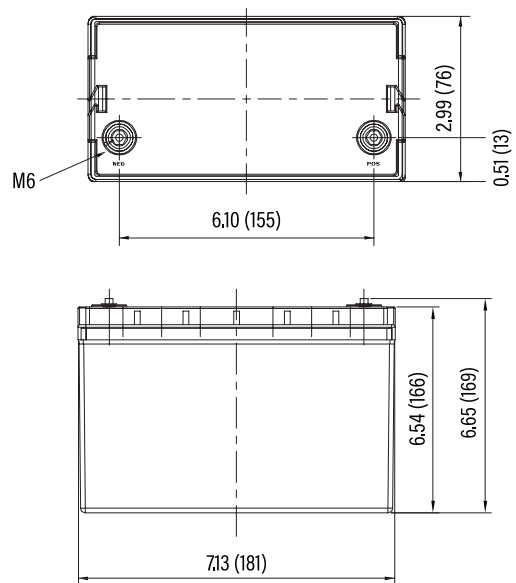
## CHARGE SPECIFICATIONS

Recommended Charge Current	0.5 A - 5 A
Maximum Charge Current	10 A
PCM Charge Current Cut-Off	275 A (±25 A)
Charge Current 14 to 32 °F (-10 to 0 °C)	≤0.1 C
Charge Current -4 to 14 °F (-20 to -10 °C)	≤0.05 C
Recommended Charge Voltage	14.2 V - 14.6 V
PCM Charge Voltage Cut-Off	15.6 V (3.9 ±0.025 vpc) (1.0 ±0.5 s)
Reconnect Voltage	15.2 V (3.8 ±0.05 vpc)
Balancing Voltage	14.4 V

## COMPLIANCE SPECIFICATIONS

Certifications	UN38.3 (battery) CE (battery) UL1642 & IEC62133 (cells)
Shipping Classification	UN 3480, CLASS 9

## DIMENSIONAL SPECIFICATIONS





# RB10-PC

Voltage: 12.8V | Capacity: 10 Ah | Energy: 128 Wh

LITHIUM IRON PHOSPHATE BATTERY **LiFePO4**

## PERFORMANCE CHARACTERISTICS

