



### R4000 DRY SERIES BATTERY

#### ELECTRICAL SPECIFICATIONS

|                       |               |
|-----------------------|---------------|
| Nominal Voltage       | 6 V           |
| Capacity @ C100       | 239 Ah        |
| Capacity @ C20        | 225 Ah        |
| Capacity @ C10        | 198 Ah        |
| Capacity @ C5         | 185 Ah        |
| Capacity @ 75A        | 124 min       |
| Capacity @ 25A        | 475 min       |
| Energy @ C100         | 1434 Wh       |
| Internal Resistance   | 1.74 mΩ       |
| Short Circuit Current | 4300 A        |
| Self Discharge        | <3% per Month |

#### CHARGE SPECIFICATIONS

|                            |           |
|----------------------------|-----------|
| Recommended Charge Current | 20 - 45 A |
| Maximum Charge Current     | 55 A      |

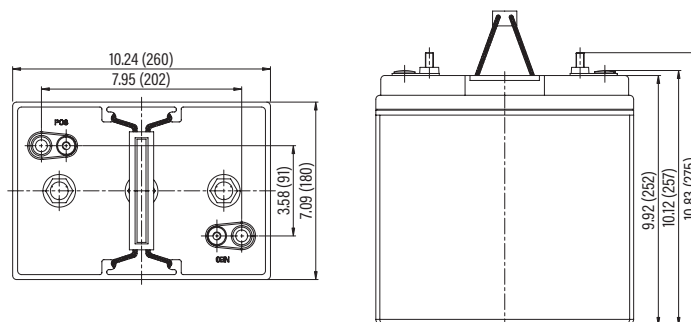
#### CHARGE VOLTAGES

| Charge Stage    | 12 V System     | 24 V System     | 36 V System     | 48 V System     |
|-----------------|-----------------|-----------------|-----------------|-----------------|
| Bulk/Absorption | 14.4 V - 14.7 V | 28.8 V - 29.4 V | 43.2 V - 44.1 V | 57.6 V - 58.8 V |
| Float           | 13.6 - 13.8 V   | 27.2 - 27.6 V   | 40.8 - 41.4 V   | 54.4 - 55.2 V   |

#### CHARGE TEMPERATURE COMPENSATION

|                           |                 |               |
|---------------------------|-----------------|---------------|
| Cold Temperature Charging | +2.8 mV/cell/°F | +5 mV/cell/°C |
| Hot Temperature Charging  | -2.8 mV/cell/°F | -5 mV/cell/°C |

#### DIMENSIONAL SPECIFICATIONS



#### MECHANICAL & PHYSICAL SPECIFICATIONS

|                        |   |
|------------------------|---|
| Dimensions (L x W x H) | 10.24 x 7.09 x 10.79"<br>260 x 180 x 274 mm |
| Weight                 | 66 lbs (30 kg)                              |
| Terminal Type          | AP & 5/16" Stud                             |
| Terminal Torque AP     | 44 - 62 in-lbs (5 - 7 N-m)                  |
| Terminal Torque STUD   | 120 - 180 in-lbs (14 - 20 N-m)              |
| Battery Type           | VRLA  |
| Case Material          | Polypropolyene                              |
| Handle                 | Rope with plastic grip                      |

#### TEMPERATURE SPECIFICATIONS

|                                     |                           |
|-------------------------------------|---------------------------|
| Operation/Storage Temperature Range | -4 - 122 °F (-20 - 50 °C) |
|-------------------------------------|---------------------------|

#### COMPLIANCE SPECIFICATIONS

|                         |                  |
|-------------------------|------------------|
| Certifications          | UL1989           |
| Shipping Classification | UN 2800, CLASS 8 |





### PERFORMANCE CHARACTERISTICS

